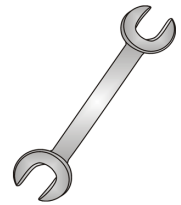




Tow-Trust Towbars

Important: Please read General Notes overleaf before fitting



Issue 1

TVW18SN TOURAN 2015>

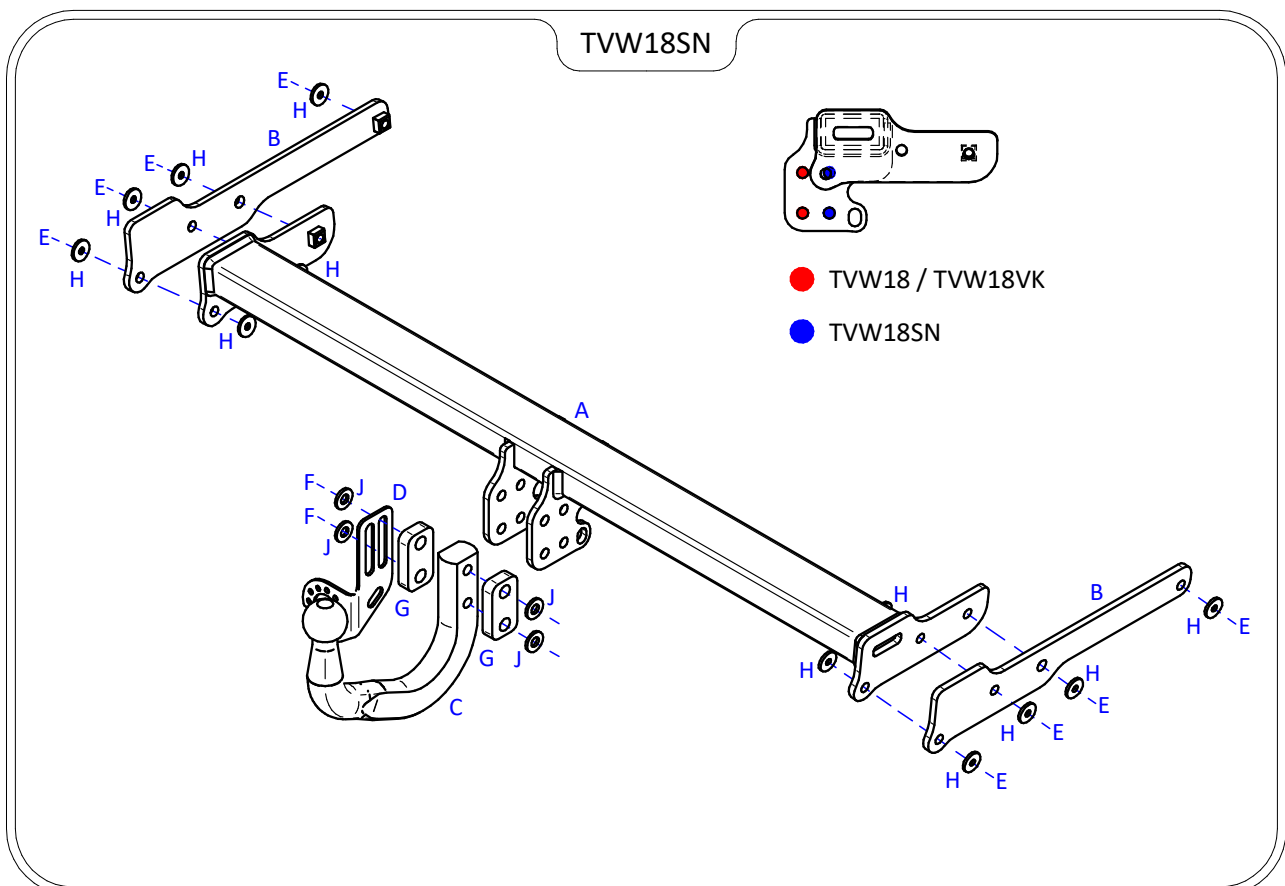
Item	Qty	Description	Item	Qty	Description
A	1	TVW18 Crossmember	D	1	VASP8 R/H Socket Plate
B	2	Handed Side Arms	E	8	M10 x 40 (10.9) Bolts, 4 Nyloc Nuts & 4 S/P Washers
C	1	ACS2 / 9202 Swan Neck	F	2	M12 x 110 Grade 10.9 Bolts & Nyloc Nuts
			G	2	15mm Spacer Plates
			H	12	10 x 25 Flat Washers
			J	4	12 x 25 Flat Washers

BUMPER REMOVAL:

1. Remove rear light clusters, one fixing inside boot area each side. (Some light clusters may have two fixings under black cover on boot opening).
2. Remove four fixings from each wheel arch, six fixing from the bumper lower edge, carefully release the bumper from the vehicle bodywork and pull rearward disconnecting any necessary wiring looms.
3. Remove the rear impact beam (This is not refitted with the Towbar assembly), refit fixings into rear panel to stop water ingress.
4. If fitted carefully lower and support the AdBlue tank from the O/S.

TOWBAR INSTALLATION:

1. Insert Items **B** into each correct chassis member and fix at the forward mounting point only with Item **E** and Item **H**.
2. Insert Item **A** into the open ends of the chassis between each side arm and fix through the rearmost mounting point using Item **E** with Item **H**.
3. Fix Item **A** to Items **B** using Items **E** and Items **H**.
4. Fully tighten all fixings ensuring the Towbar is rigid, square and secure.
5. Refit the AdBlue tank, rear bumper and light clusters.
6. Using Item **F** with item **J** and Item **G** fix Item **C** and Item **D** to Item **A**.
7. Fully tighten all remaining fixings.



Note:

1. Torque Settings see notes overleaf.
2. Nose load limits and vehicle manufacturers trailer / caravan weight limits must be observed.