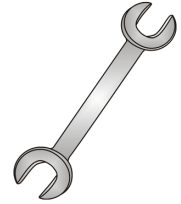




Tow-Trust Towbars

Important: Please read General Notes overleaf before fitting

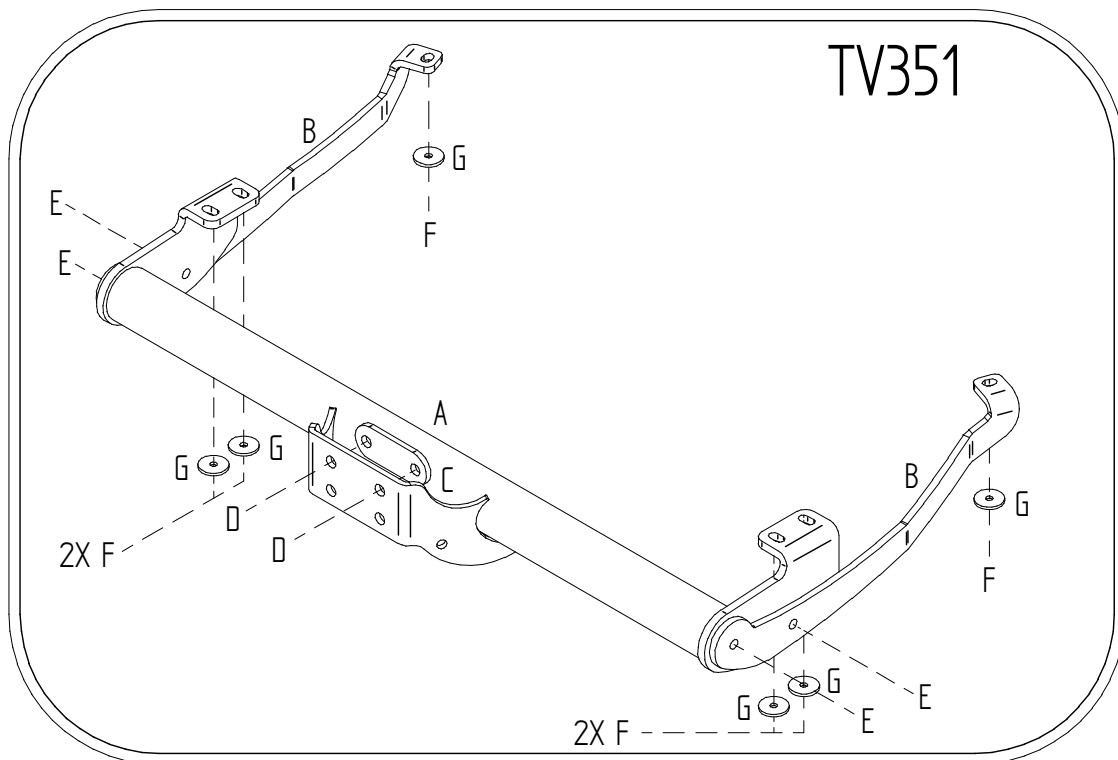


Issue 4

TV351 Vauxhall Vivaro 01>
Renault Traffic Van 01>
Nissan Primastar Van 02>

Item	Qty	Description	Item	Qty	Description
A	1	Crossmember	D	2	M16 x 50 Sets Nuts & S/P Washers
B	2	Side Arms	E	4	M12 x 40 Sets & 2 Nyloc Nuts & S/P Washers
C	1	Coupling Clamp Plate	F	6	M10 x 40 x Sets & S/P Washers
			G	6	10 x 40 Flat Washers

1. Using Item F with Item G loosely bolt Item A to the existing threaded holes in each chassis member.
2. Using Item F with Item G loosely bolt Items B to the existing forward holes in each chassis member.
3. Using Item E loosely bolt Items B to Item A.
4. Using Item D with Item C bolt the ball bracket and wiring plate (not supplied in this kit) to the mounting plate.
5. Fully tighten all nuts and bolts and ensure the Towbar is rigid and secure.



Note: nose load limits and vehicle manufacturer's trailer / caravan weight limits must be observed.