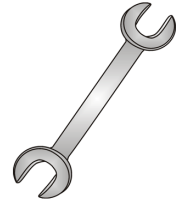




Tow-Trust Towbars

Important: Please read General Notes overleaf before fitting



Issue 2

TSDA1 SEAT TOLEDO 2013> / SKODA RAPID 2012>

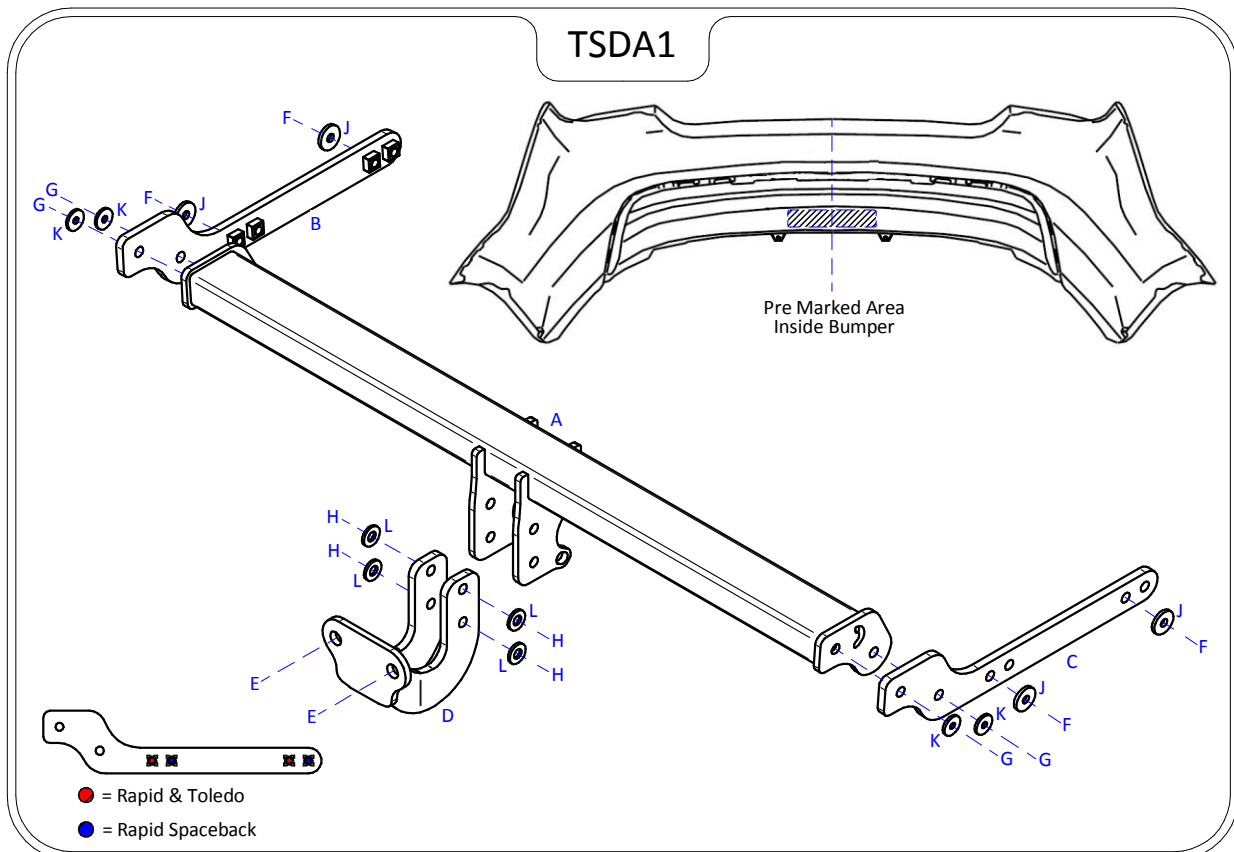
Item	Qty	Description	Item	Qty	Description
A	1	Crossmember	E	2	M16 x 50 Bolts, Nuts & S/P Washers
B	1	N/S Side Arm	F	4	M10 x 35 Grade 10.9 Bolts & 4 S/P Washers
C	1	O/S Side Arm	G	4	M10 x 40 Grade 10.9 Bolts, 2 Nuts & 4 S/P Washers
D	1	Extension	H	4	M12 x 40 Bolts & Nyloc Nuts
			J	4	10 x 30 Flat Washers
			K	4	10 x 25 Flat Washers
			L	4	12 x 25 Flat Washers

BUMPER REMOVAL:

1. Remove the rear light clusters, two fixings found behind black plastic covers. (Use hook from vehicle tool kit to remove covers).
2. Remove three fixings from each wheel arch, and one fixing just off the centreline on the bumper lower edge.
3. Remove six fixings securing bumper and under tray on the N/S and five fixings securing bumper and undertray on the O/S.
4. Carefully pull bumper tips from the vehicle then pull bumper rearwards.
5. Remove the rear impact beam and refit bolts into rear panel. (Beam is NOT refitted with the Towbar assembly).

TOWBAR INSTALLATION:

1. Insert Item B and Item C into each correct chassis member and fix in place using Items F and Items J.
2. Using Items G with Items K fix Item A between each side arm. (Items B & C).
3. At this stage fully tighten all nuts and bolts to the correct torque setting.
4. Cut the manufacturer's pre marked area inside the bumper and refit to the vehicle leaving the lower edge fixing out. (The cut can be reduced to 90mm wide from the centre line).
5. Using Items H with items L fix Item D to Item A and fully tighten to the correct torque setting.
6. Fix bumper lower edge.
7. Using Item E fix your desired ball bracket and wiring plate (Not supplied in this kit) to Item D and fully tighten to the correct torque setting.



Note:

1. Recommended Torque Setting for M12 Grade 10.9 -139 Nm. (For other Torque Settings see notes overleaf.)
2. Nose load limits and vehicle manufacturers trailer / caravan weight limits must be observed.