



Tow-Trust Towbars

Important: Please read General Notes overleaf before fitting

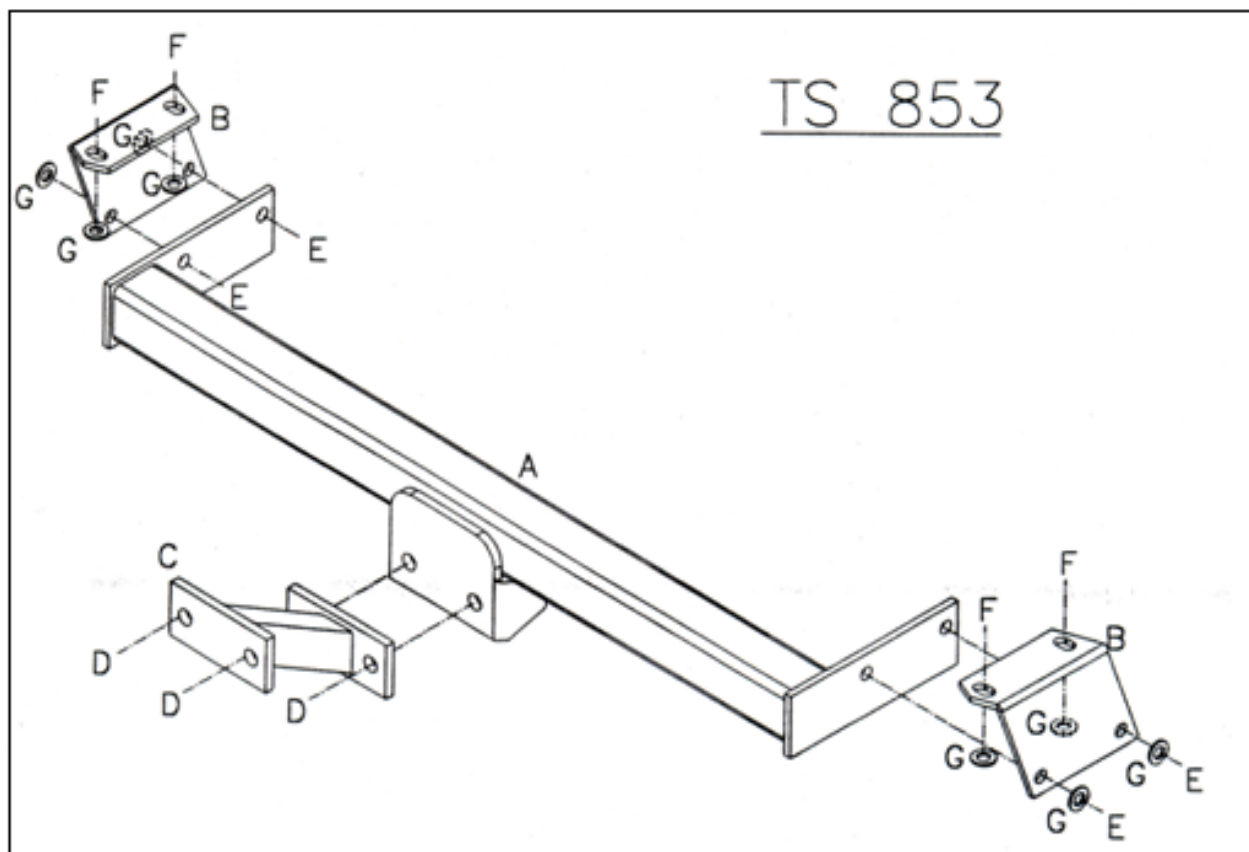


Issue 3

TS853 Suzuki Grand Vitara 1998 - 2005

Item	Qty	Description	Item	Qty	Description
A	1	Crossmember	D	4	M16 x 50 Bolts Nuts & S/P Washers
B	2	Handed Side Arms	E	4	M12 x 30 Bolts, Nuts & S/P Washers
C	1	Extension Bar	F	4	M12 x 30 x 1.25 Bolts & S/P Washers only
			G	8	12 x 25 Flat Washers

1. Remove the towing eye from the chassis (if fitted).
2. Using item F with item G loosely bolt item B to the existing threaded holes in each chassis member.
3. Using item E with item G bolt item A to item B.
4. Using item D bolt item C to item A.
5. Using item D bolt the ball bracket and wiring plate (not supplied in this kit) to the mounting plate.
6. Fully tighten all nuts and bolts and ensure the towbar is rigid and secure.
7. Note; When not towing it is advisable to remove the extension to avoid obscuring the number plate.



Note:

1. Recommended Torque Setting for M12 Grade 10.9 -139 Nm. (For other Torque Settings see notes overleaf.)
2. Nose load limits and vehicle manufacturers trailer / caravan weight limits must be observed.