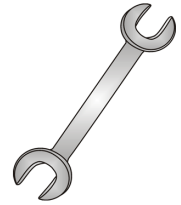




Tow-Trust Towbars

Important: Please read General Notes overleaf before fitting

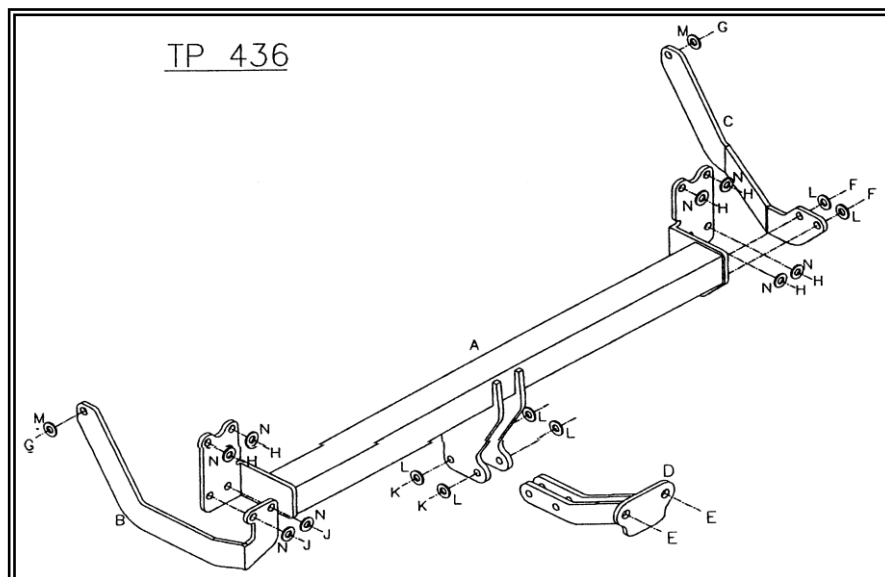


Issue 6

TP436 Peugeot 407 EST/SW 2004> Citroen C5 Est (X72) 2008>

Item	Qt	Description	Item	Qty	Description
A	1	Crossmember	E	2	M16 x 50 Bolts Nuts & S/P Washers
B	1	Left Hand Side Arm	F	2	M12 x 40 Bolts, Nuts & S/P Washers
C	1	Right Hand Side Arm	G	2	M10 x 30 Bolts & S/P Washers
D	1	Extension Bar	H	6	M8 x 30 Bolts & S/P Washers
			J	2	M8 x 40 Bolts & S/P Washers
			K	2	M12 x 85 Grade 10.9 Bolts & Nyloc Nuts
			L	6	12 x 25 Flat Washers
			M	2	10 x 25 Flat Washers
			N	8	8 x 25 Flat Washers

1. Temporarily disconnect the rear light clusters and remove. Unclip the inner boot lining to gain access to the plastic fixing behind each light cluster.
2. Remove the rear bumper. (**PEUGEOT 407**) Five fixings along bottom edge, one fixing on the lower central bumper support, one nut in each light cluster seating area, two fixings under each wheel arch, two plastic fixings in the rear panel and one fixing on the left and right hand upper edge of the bumper. (**CITROEN C5**) Five fixings along bottom edge, two fixings each side under light clusters, three fixings around wheel arch, and one fixing behind wheel arch liner.
3. Temporarily disconnect the reversing sensors.
4. Remove the eight fixings securing the bumper beam. (This is not refitted with the towbar.)
5. Using Item **H** with Item **N** loosely bolt Item **A** to the rear panel.
6. Locate the existing threaded holes in each chassis (these are covered with tape) and using Item **G** with Item **M** loosely bolt Item **B** and Item **C** into place.
7. Using Item **F** with Item **L** loosely bolt Item **C** to Item **A**.
8. Using Item **J** with Item **N** loosely bolt Item **B** to Item **A**.
9. Fully tighten all nuts and bolts and ensure the towbar is rigid and secure.
10. Reconnect reversing sensors, refit bumper and light clusters.
11. Using Item **K** with Item **L** bolt Item **D** to Item **A**
12. Using Item **E** bolt the ball bracket (not supplied in this kit) to the mounting plate.



Note:

1. Recommended Torque Setting for M12 Grade 10.9 -139 Nm. (For other Torque Settings see notes overleaf.)
2. Nose load limits and vehicle manufacturers trailer / caravan weight limits must be observed.