

TLDV1 Deliver 9 Van 2020>

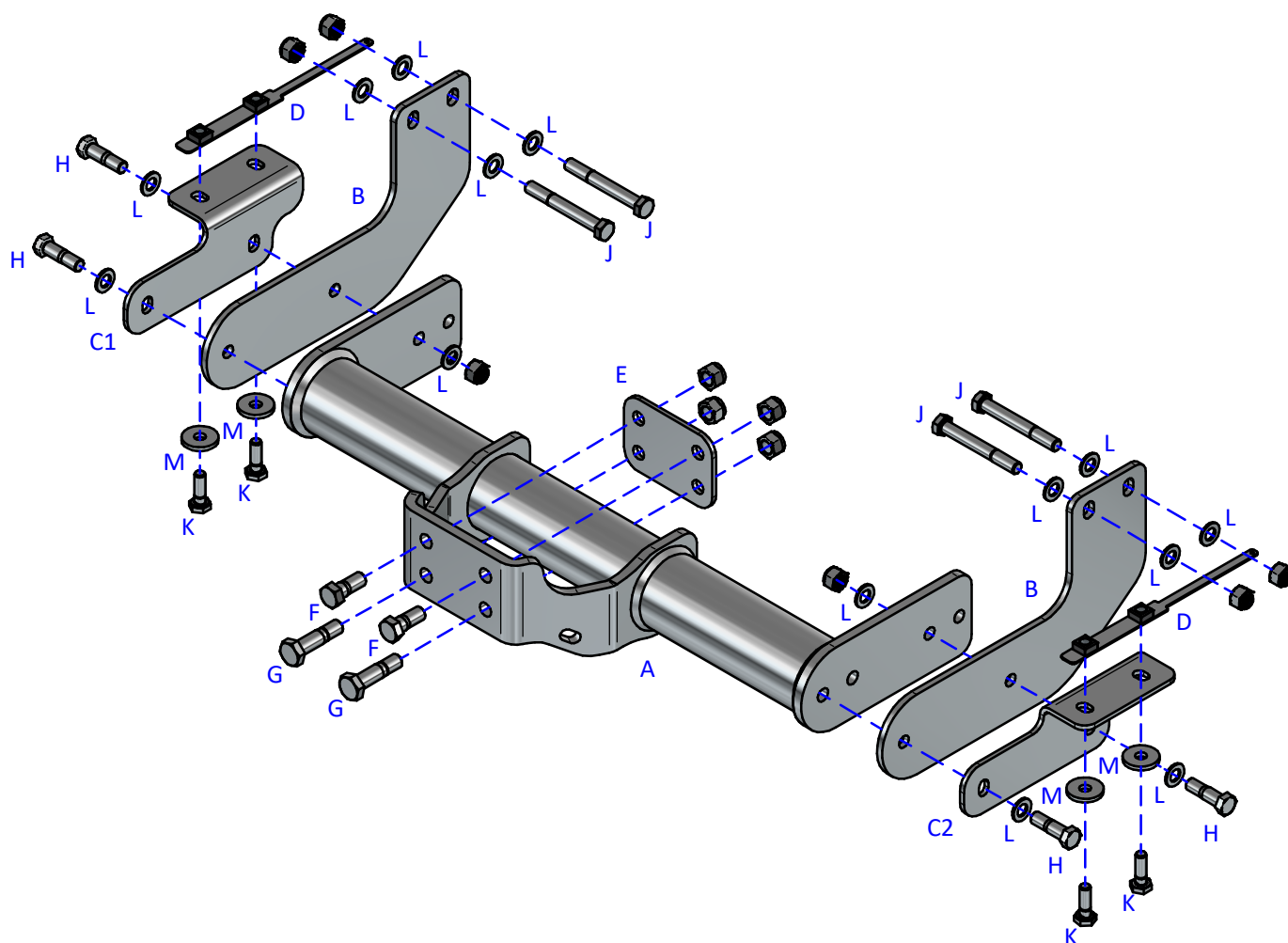
Item	Qty	Description	Item	Qty	Description
A	1	TLDV1 Crossmember	F	2	M16 x 40 Bolts & Nyloc Nuts (Must Be Fitted)
B	2	Side Arms	G	2	M16 x 65 Bolts & Nyloc Nuts
C1	1	Left Hand Angle Bracket	H	4	M14 x 50 Bolts, 2 S/P Washers & 2 Nyloc Nuts
C2	1	Right Hand Angle Bracket	J	4	M14 x 110 Bolts & Nyloc Nuts
D	2	Captive Nut Plate	K	4	M12 x 35 Bolts & S/P Washers
E	1	Clamp Plate (Must Be Fitted At All Times)	L	14	14 x 27 Flat Washers
			M	4	12 x 40 Flat Washers

Pre-Installation

1. Remove the four existing bolts from chassis where the side arms will connect and discard.

TOWBAR INSTALLATION:

1. Fix Items **B** to each chassis member using Items **J** and Items **L**.
2. Insert Item **D** into the bumper brackets and locate above the vertical mounting points.
(Note: Some models may require the bumper bracket lowering by removing the four vertical fixings to insert item **D**.)
3. Fix Items **C1** and **C2** to the bumper brackets at the vertical mounting points using Items **K** and Items **M** fixing into Item **D**.
4. Fix Item **A** to Items **B**, **C1** and **C2** using Items **H** and Items **L**.
5. Using Items **F** through the setting not used for the towball loosely fix Item **E** to the rear of the Face Plate.
(Always Follow This Before Fitting Towball)
6. Using Item **G** fix your desired ball bracket and socket plate (not supplied in this kit) to Item **A**.
7. Fully tighten all fixings, ensuring the Towbar is rigid, Square and Secure.



Notes:

1. For Torque settings see general notes overleaf.
2. Nose load limits and vehicle manufacturer's trailer / caravan weight limits must be observed.