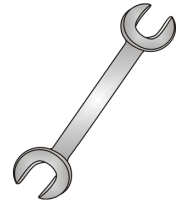




# Tow-Trust Towbars

Important: Please read General Notes overleaf before fitting



Issue 5

## TL2VK RANGE ROVER EVOQUE 2011>

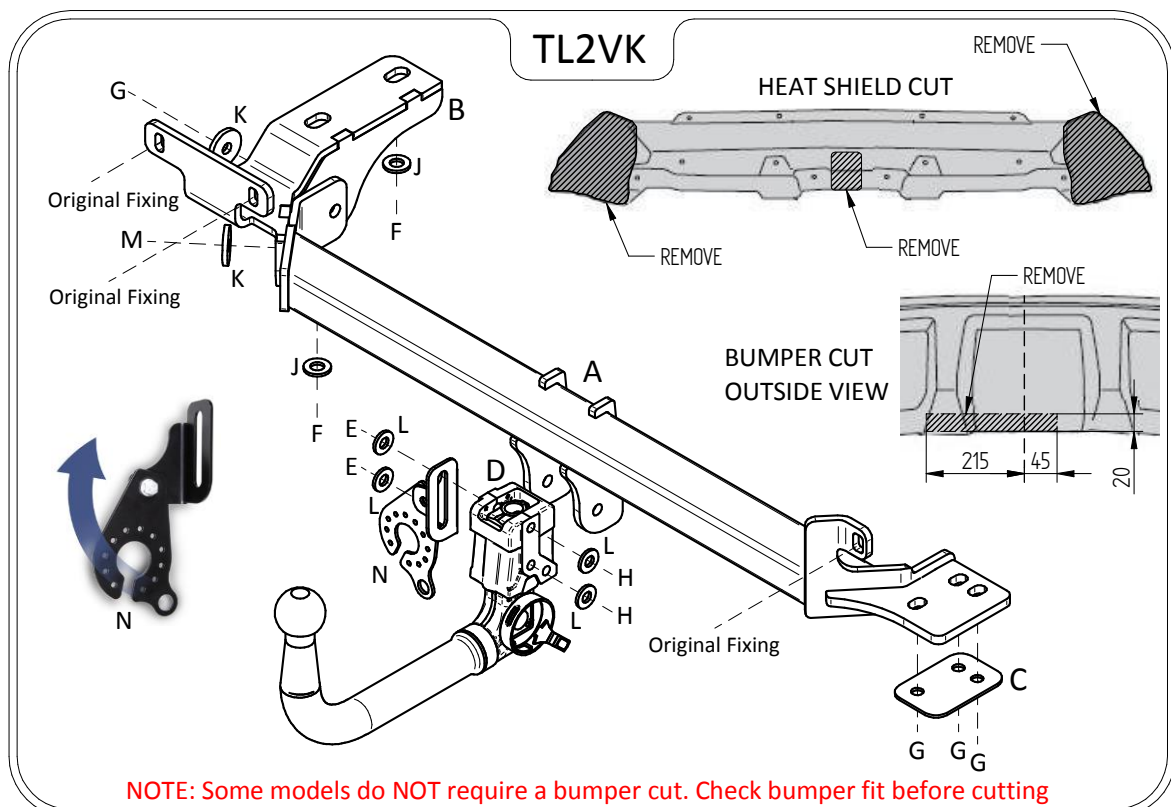
Item	Qty	Description	Item	Qty	Description
A	1	Crossmember	E	2	M12 x 25 Bolts & S/P Washers
B	1	N/S Side Arm	F	2	M14 x 90 Bolts & S/P Washers
C	1	O/S Clamp Plate	G	4	M12 x 40 Grade 10.9 Bolts, 1 Nyloc Nut & 3 S/P Washers
D	1	Detachable Housing	H	2	M12 x 22 Bolts & S/P Washers
			J	2	14 x 27 Flat Washers
			K	2	12 x 40 Flat Washers
			L	4	12 x 25 Flat Washers
			M	1	M12 x 40 x 1.25 Countersunk Bolt, Nut & S/P Washer
			N	1	Flip Up Socket Plate (TTFP/LH)

### BUMPER REMOVAL:

1. First remove the rear light clusters, two fixings each side found under a small cover when boot lid is open on the inside edge of cluster, also found around the boot opening is two pull out fixings, locate and remove.
2. Remove three fixing located around each wheel arch and unclip the wheel arch trim.
3. From the underside of the vehicle looking inside the rear bumper locate the top four fixings connecting bumper with the rear panel and remove.
4. Unclip wiring loom and remove bumper.
5. Once the rear bumper is removed, remove the inner heat shield and cut as shown in sketch.

### TOWBAR INSTALLATION:

1. Locate the three lower crash beam fixings and remove (two on the N/S and the inner one on the O/S).
2. Locate and clean all Towbar mounting points and mating faces.
3. Using the originals fixings bolt Item B to the N/S mounting points on the rear panel.
4. Using Item F with Item J bolt Item B to the remaining vertical mounting points in the chassis member.
5. Using the original fixing bolt Item A to the O/S mounting point on the rear panel and using Item G with Item K bolt Item A to Item B. **NOTE:** When fitting Item G ensure the head of the bolt is on the exhaust side to give the exhaust maximum clearance.
6. Using Item M bolt Item A to Item B in the counter sunk hole.
7. Using Item G with Item C bolt Item A to the three remaining vertical mounting points on the O/S.
8. Using item H with Item L and Item E with Item L bolt Item D and Item M to Item A.
9. Fully tighten all nuts and bolts ensuring Towbar is rigid square and secure.
10. Refit rear bumper and light clusters.



- Note:**
1. Recommended Torque Setting for M12 Grade 10.9 -139 Nm. (For other Torque Settings see notes overleaf.)
  2. Nose load limits and vehicle manufacturers trailer / caravan weight limits must be observed.