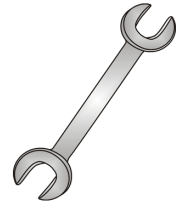




# Tow-Trust Towbars

Important: Please read General Notes overleaf before fitting

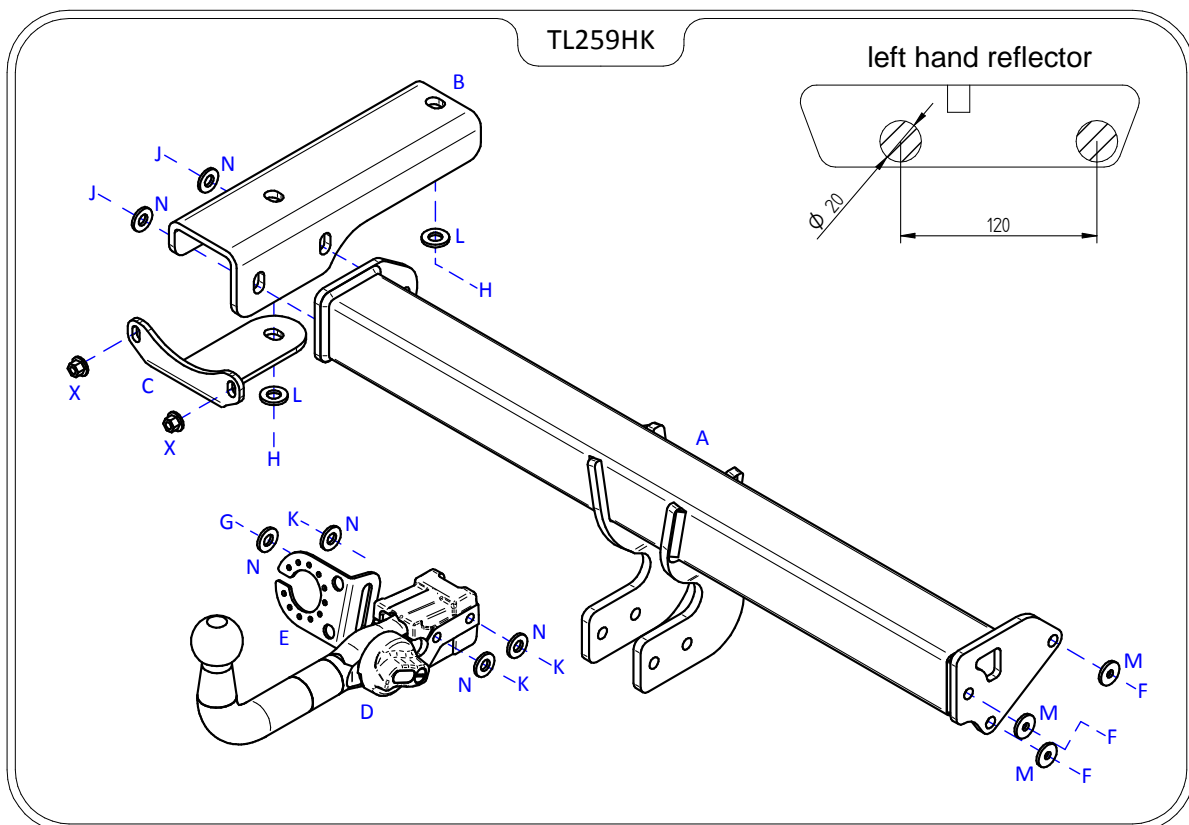


Issue 6

## TL259HK LAND ROVER FREELANDER 2 2006>

Item	Qty	Description	Item	Qty	Description
A	1	TL259 Crossmember	E	1	Socket Plate 1
B	1	L/H Side Arm	F	3	M10 x 35 (12.9) <b>Cap Head</b> Bolts, 2 Nuts & 3 S/P Washers
C	1	L/H Chassis Bracket	F1	3	M10 x 35 (10.9) Bolts
D	1	2081 Detachable Neck	G	1	M12 x 25 Bolt & S/P Washer
			H	2	M14 x 100 Bolts & S/P Washers
			J	2	M12 x 35 (10.9) Bolts, 1 Nyloc Nut & 1 S/P Washer
			K	3	M12 x 25 Bolts & S/P Washers
			L	2	14 x 27 Flat Washers
			M	3	10 x 25 Flat Washers
			N	6	12 x 25 Flat Washers
			O	4	M12 Bolt Caps

1. Remove the five fasteners from the lower edge of the bumper, and the left hand bumper reflector.
2. Drill two 20mm holes SEE SKETCH in the reflector recess.
3. Using Item F or F1 (which ever you find easiest, please ensure the Nuts & S/P Washers are used from item F when using Item F1) with Item M fix Item A to the existing holes in the right hand towing eye.
4. Using Item H with Item L loosely fix Item B to the forward existing threaded hole in the left hand chassis member.
5. Remove the two M8 nuts from the existing studs on the left hand side of the rear panel.
6. Locate Item C over the studs and loosely secure using the existing nuts.
7. Using Item H with Item L loosely fix Item C and Item B to the existing rearmost threaded hole in the left hand chassis member.
8. Using Item J with Item N fix Item A to Item B.
9. Using Item G and Item N and Item K with Item N fix Item D and Item E to Item A.
10. Fully tighten all nuts and bolts ensuring the Towbar is rigid, square and secure.
11. Reattached the bumpers lower edge using the original fixings and refit the reflector.



**Note:**

1. Recommended Torque Setting for M12 Grade 10.9 -139 Nm. (For other Torque Settings see notes overleaf.)
2. Recommended Torque Setting for M10 Grade 12.9 -70 Nm. (For other Torque Settings see notes overleaf.)
3. Nose load limits and vehicle manufacturers trailer / caravan weight limits must be observed.