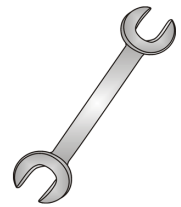




# Tow-Trust Towbars

Important: Please read General Notes overleaf before fitting

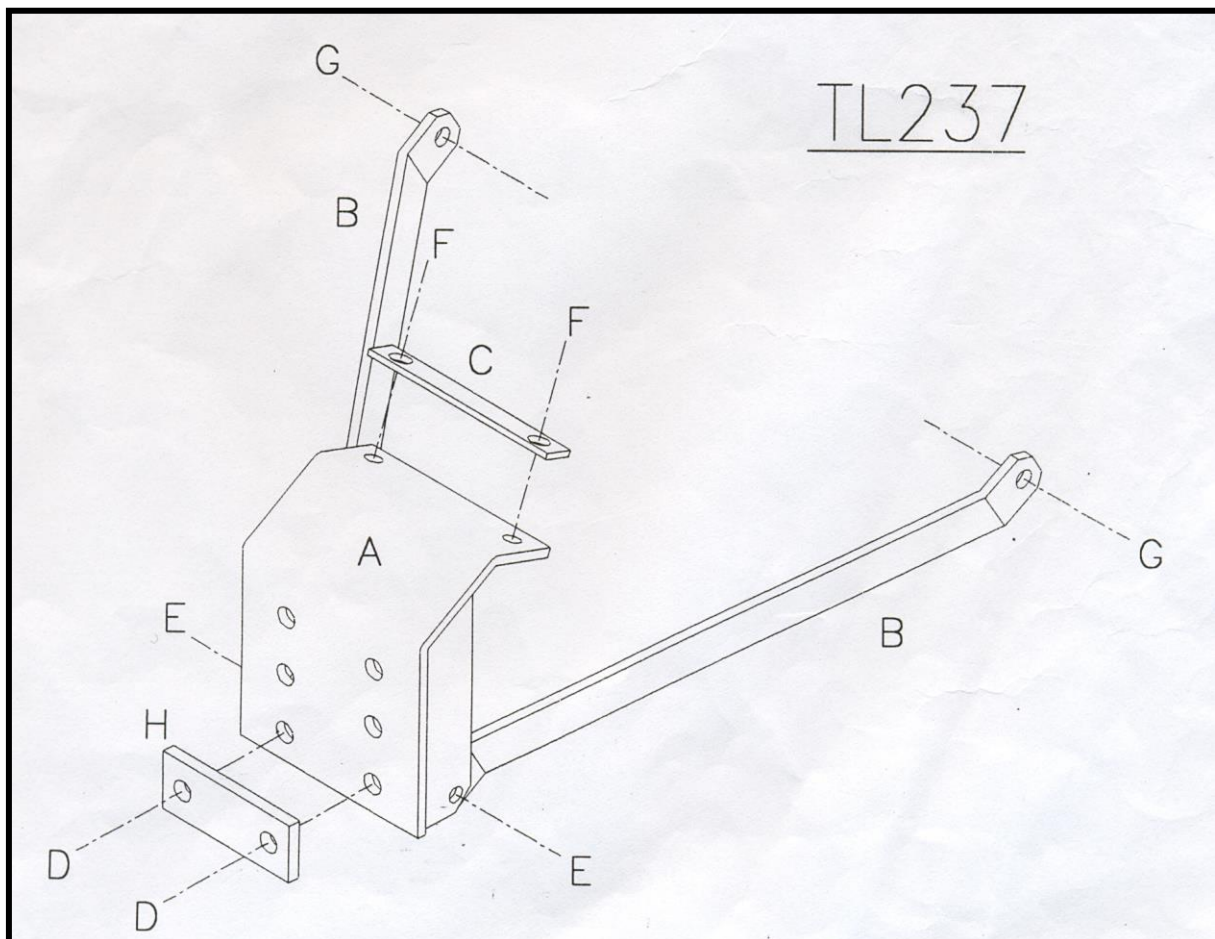


Issue 3

## TL237 Range Rover 1970 – 1994 & Discovery 1989 - 1998

Item	Qty	Description	Item	Qty	Description
A	1	Drop Plate	D	2	M16 x 50 Bolts, Nuts & S/P Washers
B	2	Side Arms	E	2	M12 x 30 Bolts, Nuts & S/P Washers
C	1	Clamp Plate	F	2	M12 x 110 Bolts, Nuts & S/P Washers
			G	2	M10 x 110 Bolts, Nuts & S/P Washers
			H	1	Coupling Spacer

1. Remove the rear bumper.
2. Locate the two existing holes in the rear box section. Place item C above the holes and using item F, loosely bolt item A into place.
3. Remove the towing eyes and using the existing bolts, loosely bolt items B to the inside face.
4. Using item E, bolt items B to item A.
5. Using item D and item H, bolt the ball bracket and wiring plate (not supplied in this kit) to the mounting plate.
6. Fully tighten all nuts and bolts and ensure the Towbar is rigid and secure.



**Note:** nose load limits and vehicle manufactures trailer / caravan weight limits must be observed.