



Tow-Trust Towbars

Important: Please read General Notes overleaf before fitting



Issue 1

TJEEP1VK JEEP GRAND CHEROKEE (WK) 2011>

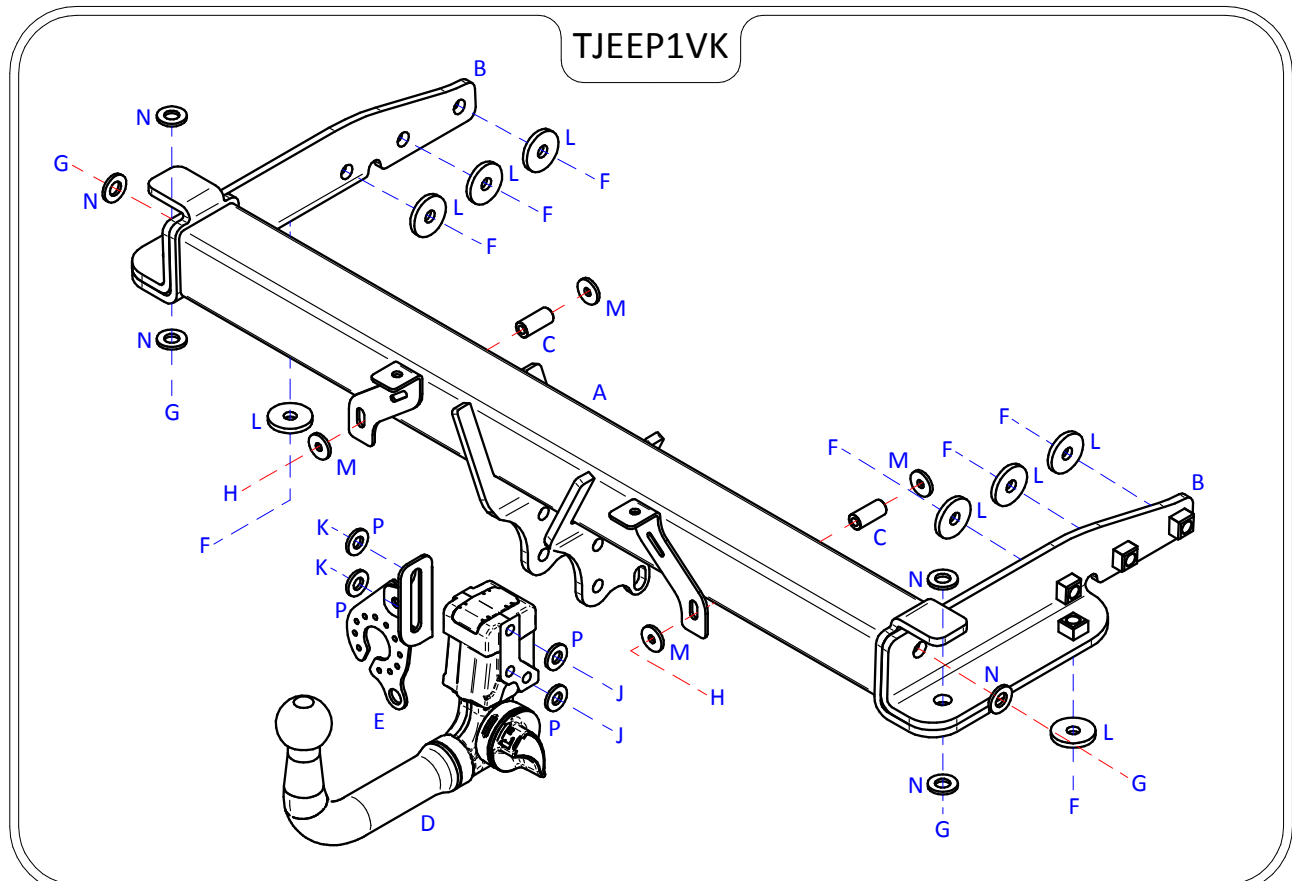
Item	Qty	Description	Item	Qty	Description
A	1	Crossmember	E	1	Flip Up Socket Plate TTFP/LH
B	2	Handed Side Arms	F	8	M12 x 35 Bolts & S/P Washers
C	2	15mm x 33mm Spacer Tubes	G	4	M14 x 40 Bolts, 2 Nyloc Nuts & 2 S/P Washers
D	1	6224 ACS Detachable	H	2	M8 x 50 Bolts, Nuts & S/P Washers
X	8	Large Plastic Rivets	J	2	M12 x 22 Bolts & S/P Washers
			K	2	M12 x 25 Bolts & S/P Washers
			L	8	12 x 40 Flat Washers
			M	4	8 x 25 Flat Washers
			N	6	14 x 27 Flat Washers
			p	4	12 x 25 Flat Washers

BUMPER REMOVAL:

1. Remove two fixings from around the boot shut area, two fixings found centrally on the lower edge, four fixings around each wheel arch. **OVERLAND BUMPER ONLY** carefully release wheel arch trim from vehicle body to reveal an additional bumper fixing. Pull bumper rearward to remove.
2. Remove five fixings from the N/S chassis and remove the Towing eye. (Towing eye is NOT refitted with Towbar assembly).
3. Remove three fixings from the O/S chassis and carefully remove the rear impact beam. (Rear impact beam is NOT refitted with Towbar assembly).

TOWBAR INSTALLATION:

1. Insert Items B into each correct chassis member and fix in place using Item F and Item L.
2. Using Item G with Item N fix Item A between each side arm (Items B).
3. Using Item J with Item P and Item K with Item P fix Item D and Item E to Item A.
4. Fully tighten all fixings ensuring the Towbar is rigid, square and secure.
5. Cut the bumper centrally 100mm wide x 20mm deep. (Trim to suit)
6. Refit the rear bumper using Item C, Item H and Item M to secure the bumper to the bumper tags found on Item A.
7. Secure the bumper around wheel arches using Item X.



Note:

1. Recommended Torque Setting for M12 Grade 10.9 -139 Nm. (For other Torque Settings see notes overleaf.)
2. Nose load limits and vehicle manufacturers trailer / caravan weight limits must be observed.