



Tow-Trust Towbars

Important: Please read General Notes overleaf before fitting

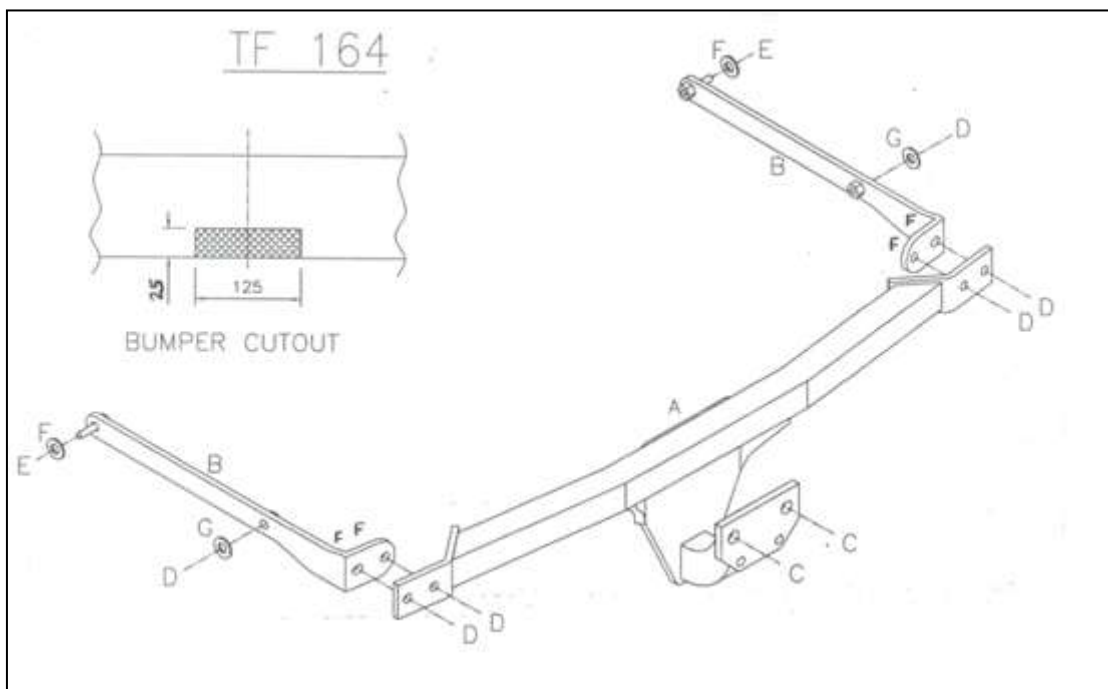


Issue 4

TF164 FORD Fiesta (Number Plate on Tailgate) / Fiesta Van 2002 - 2008

| Item | Qty | Description | Item | Qty | Description |
|------|-----|------------------|------|-----|--|
| A | 1 | Towbar | C | 2 | M16 x 50 Bolts, Nuts and S/P Washers |
| B | 2 | Handed Side Arms | D | 6 | M10 x 35 Bolts, 4 Nuts and 6 S/P Washers |
| | | | E | 2 | M10 Nuts and S/P Washers |
| | | | F | 6 | 10 x 25 Flat Washers |
| | | | G | 2 | 10 x 40 Flat Washers |
| | | | H | 2 | 4.8mm x 16mm Rivets |

1. Remove the rear bumper. (Drill out the two Pop Rivets along the top edge, two plastic fixings each side on wheel arch liners, one tip screw on each side and two plastic fixings on the lower edge.)
2. Remove inner bumper beam. (This is not refitted with the towbar.)
3. Slide Item **B** into each chassis member and locate captive bolt into existing forward hole, loosely bolt using Item **F** and Item **E**. Loosely bolt rear most mounting point using Item **D** with Item **G**.
4. Using Item **D** loosely bolt item **A** to Item **B**. Mark the lower plastic bumper bracket either side of the drop plate, remove towbar and cut out the plastic section. Re-fit towbar using bolts supplied.
5. Fully tighten all nuts and bolts and ensure the towbar is rigid and secure.
6. Cut a section out of the lower edge of the bumper 25mm deep x 125mm wide (see sketch).
7. Re-fit the rear bumper. (Pop Rivets supplied.)
8. Using Item **C** bolt the ball bracket and wiring (not supplied with this kit) to the mounting plate.



Note: nose load limits and vehicle manufacturers trailer / caravan weight limits must be observed.