



# Fitting Instructions

TOWBAR F180AU  
For Ford Edge  
2016-

## MATERIALS

A	1	Cross Tube
B	1	Side Arm
C	1	Side Arm
D	4	M12 x 35 x 1.75 Bolts, Lock Washers and Nuts
E	2	Trim Retainer
SC	1	Safety Chain Attachment Point. (Use M12 x 35 long bolts supplied in this kit)
ZE	1	Retractable Electrical Plate
ZN	1	Neck option
X1 & X2		Existing M14 x 2.0 bolts with captive washers

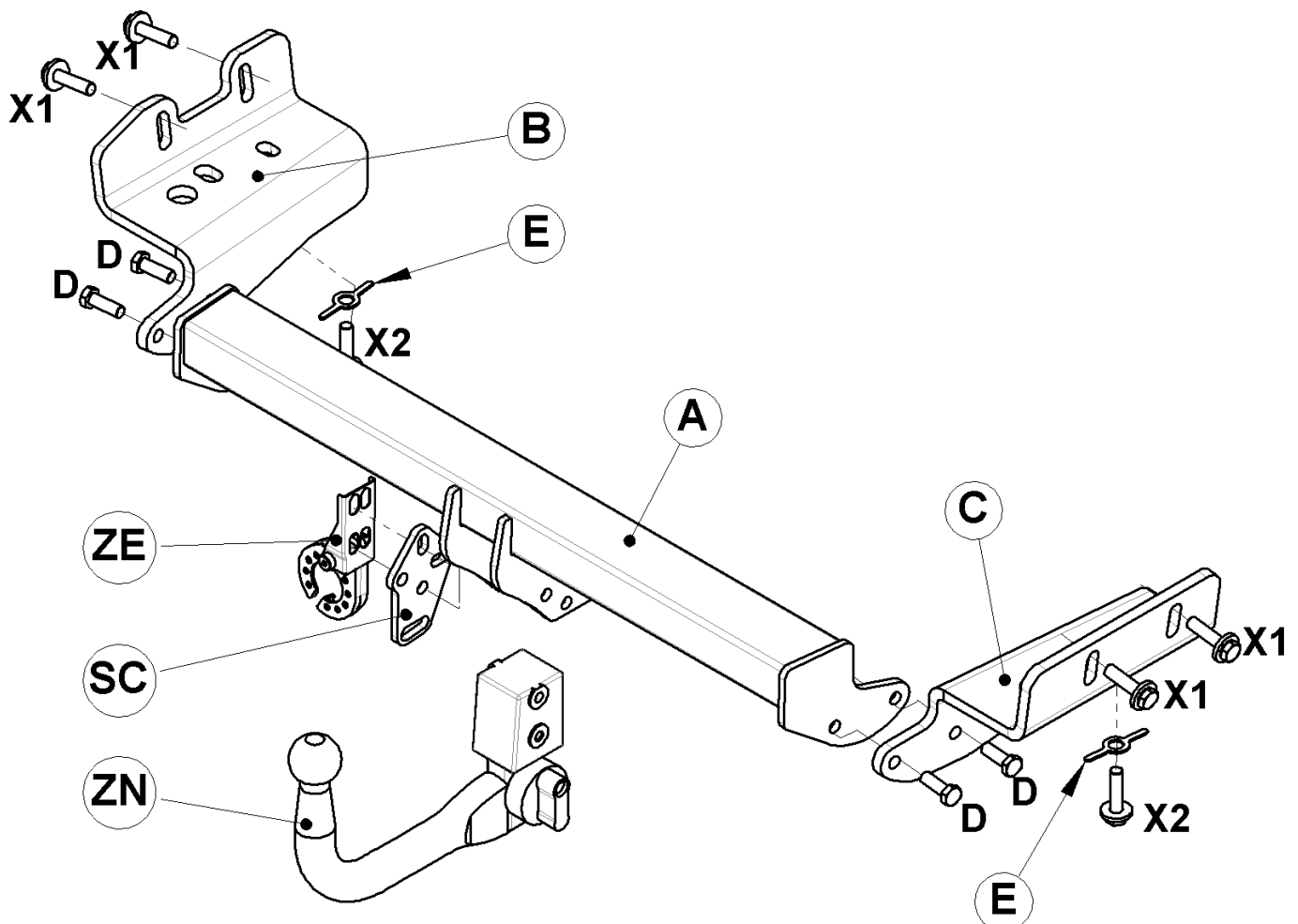
## FITTING

1. Remove the central and corner plastic under-trays from the rear bumper.
2. Remove the bumper beam retaining bolts from the chassis rails to expose the tow bar mounting points (4-off per side)
3. Loosely assemble each Side Arm (B & C) to each chassis rail using bolts removed in stage 2.
4. Loosely assembly the Cross Bar (A) to Side Arms (B & C) using fasteners (D)
5. Assemble the chosen Neck kit, Safety Chain Plate and Retractable Electrical Plate to Cross Bar (A) using the respective kit instructions. **(Note the use of longer fasteners when fitting the Safety Chain Plate in conjunction with a Detachable Neck)**
6. Refit each corner under-tray so that they are partially captivated under the Trim Retainer (E) of each fastener (X2).
7. **Fully tighten all fasteners** starting with those into the bottom face of each chassis rail.
8. Trim the ends of the central under-tray to clear the Side Arms (B & C) and re-fit.

### Recommended torque settings:

Grade 8.8 bolts: M8 - 24Nm, M10 - 52 Nm, M12 - 80 Nm, M14 - 130 Nm, M16 - 200 Nm

Grade 10.9: M12 - 120Nm, M10 - 70Nm M8- 35Nm



W 0001F180AU-FIT\$010802220000

